

37050T	18"毛巾杆	37051T	24"毛巾杆	37054T	卫生纸架
37055T	衣钩	37056T	卫生纸架(竖直型)	37057T	毛巾环
45445T	24"双毛巾杆	45446T	24"双层毛巾架	45447T	带盖卫生纸架

安装之前

BEFORE YOU BEGIN

所有的资料是按最新出版的产品资料编写而成。科勒公司保留任何时候不经通知即可改变产品特性、包装或产品可供类型的权利。

All information is based on the latest product information available at the time of publication. Kohler Co. reserves the right to make changes in product characteristics, packaging, or availability at any time without notice.

说明书包括重要的安装、保养及清洁方面的内容，请把这些资料交给用户阅读。

Please leave these instructions for the consumer. They contain important information.

注意事项:

本产品为水泥墙面安装或木墙面安装。若安装在其他表面可能影响产品性能。

NOTE:

These products should be located and mounted to a wall. While it is possible to mount them to any surface, a stud or concrete mounted product will yield the best results.

危险警告: (人身伤害)

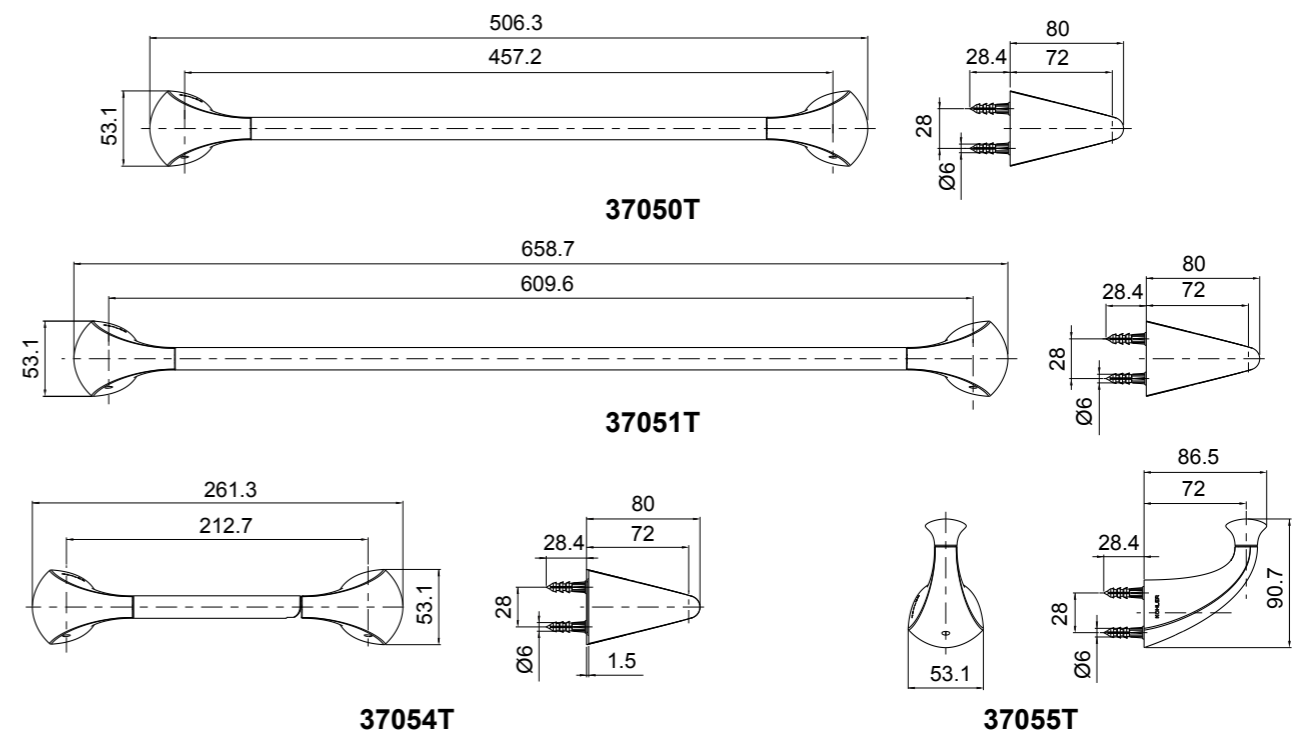
本产品不能作为扶手等支撑物使用，请勿将产品安装在可能被误认为扶手等支撑物的位置。

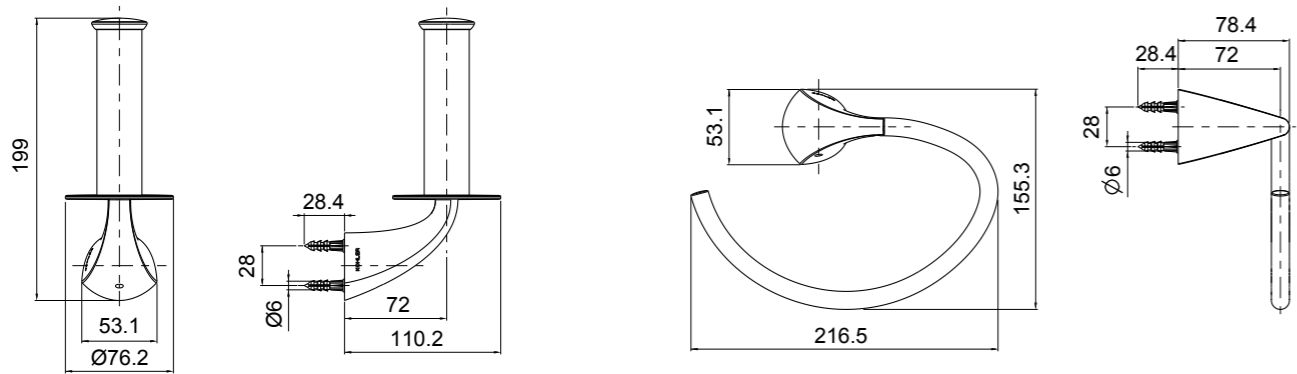
DANGER: (Risk of personal injury)

These products are not designed or intended for use as a grab bar or support bar. Do not install any of these products in any area where they are likely to be used inadvertently as a grab bar or support bar.

安装尺寸

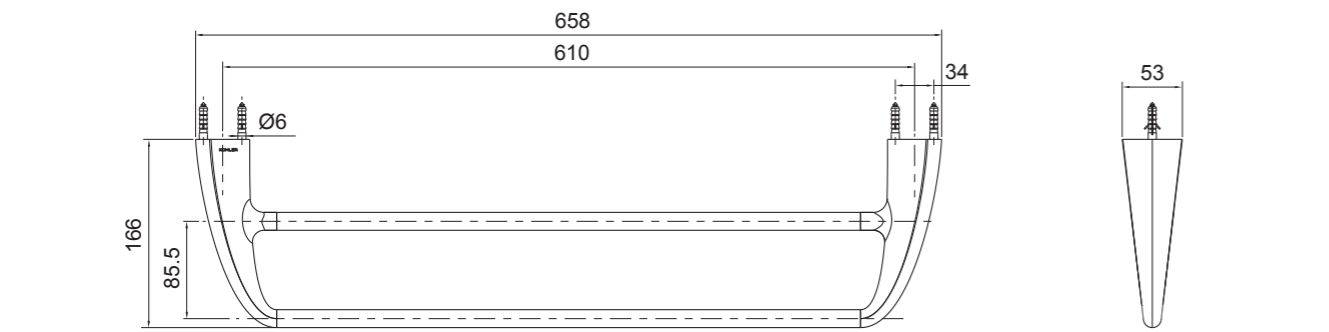
ROUGH-IN DIMENSIONS



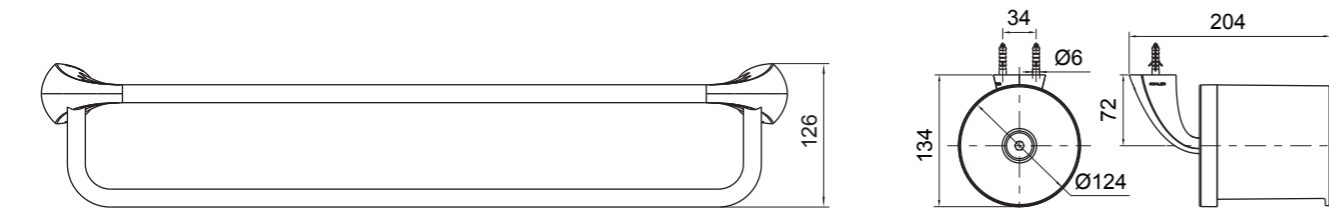


37056T

37057T

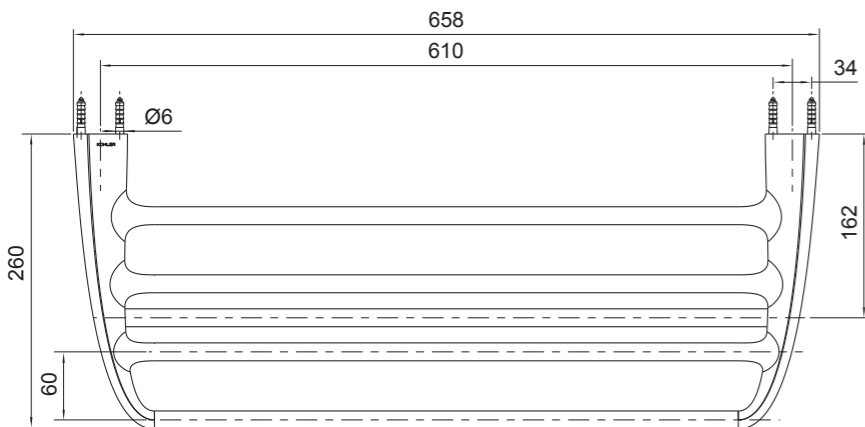


45445T



45446T

45447T

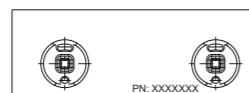


安装步骤

如何粘贴模板

如图所示，在墙面上找一个合适的位置
粘贴模板，确保模板水平。

对于37050T/37051T/37054T/37055T/
37056T/37057T，保持圆孔在下。



仅对于37050T/37051T/37054T



仅对于37055T/37056T/37057T

INSTALLATION

How to Stick the Templet

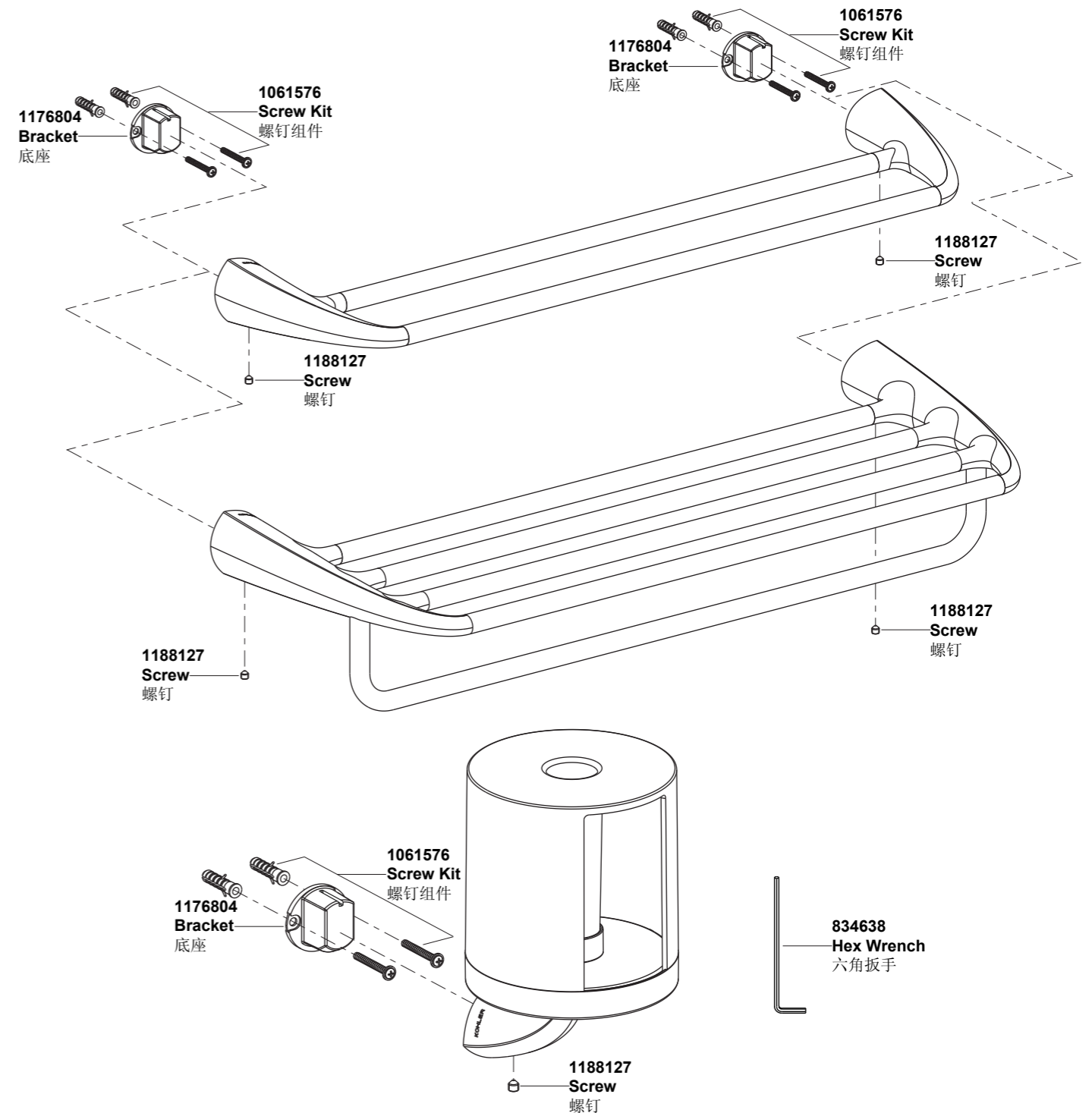
Select a proper position on the wall to
stick the templet, ensure the templet is
level.

For 37050T/37051T/37054T/37055T/
37056T/37057T, keep the smaller hole
down as shown.

KOHLER®
ACCESSORY SERVICE PARTS
浴室配件 零件图

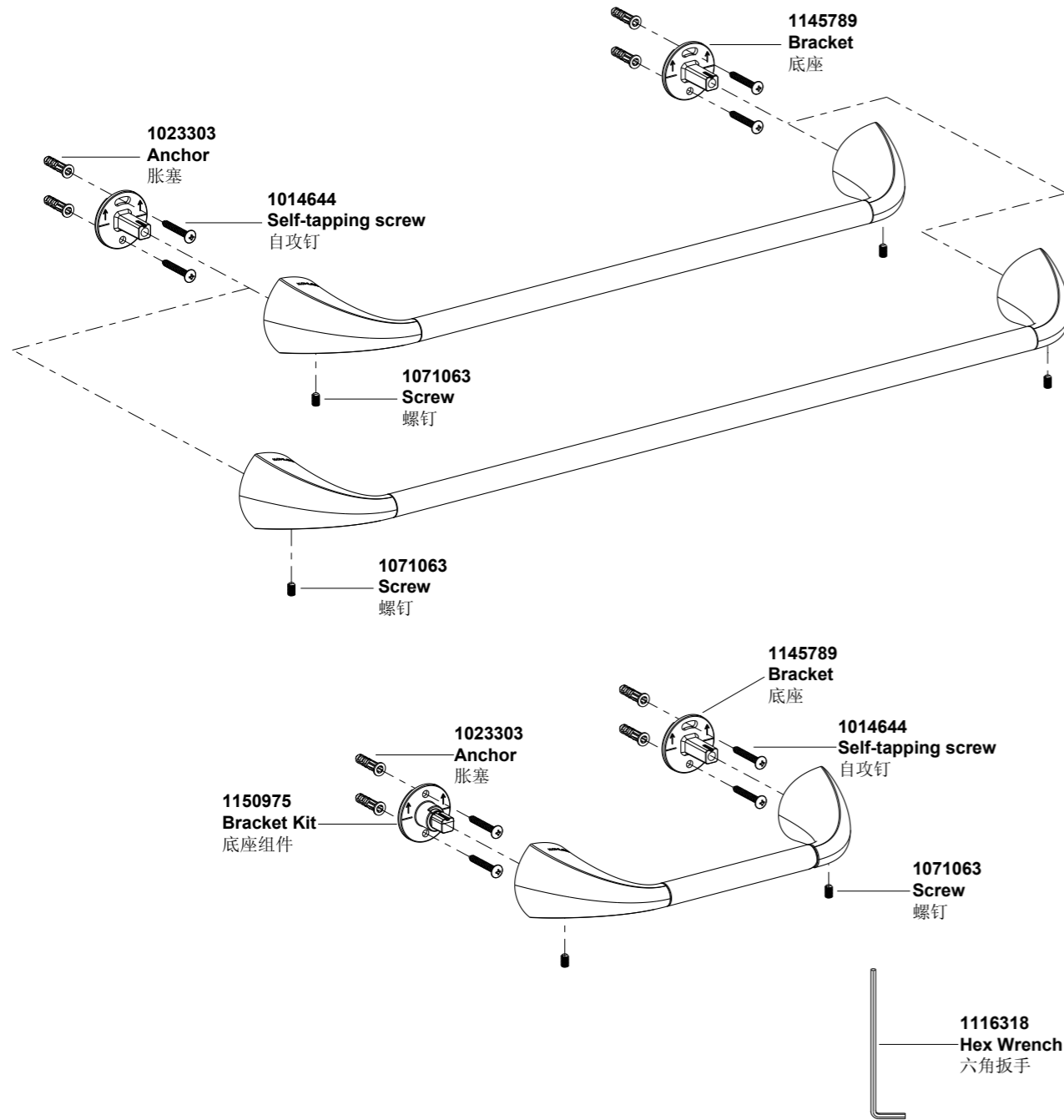
曼思
MISTOS
Accessories

- 45445T 24"双毛巾杆
- 45446T 24"双层毛巾架
- 45447T 带盖卫生纸架



**订购时请说明颜色编号
**Color code must be specified when ordering

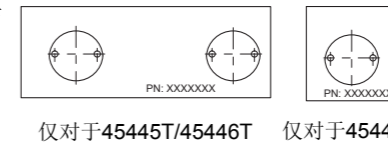
- 37050T 18"毛巾杆
- 37051T 24"毛巾杆
- 37054T 卫生纸架



**订购时请说明颜色编号
 **Color code must be specified when ordering

对于45445T/45446T/45447T, 保持两圆孔左右对称。

根据胀塞直径钻孔。



如何安装底座

将胀塞(1)塞入孔中, 用自攻钉(3)固定底座(2)。

如图Fig.1所示, 对于37050T/37051T/37054T/37055T/37056T/37057T, 保持底座大孔在上, 小孔在下, 两螺钉孔铅锤。

如图Fig.2所示, 对于45445T/45446T/45447T, 保持两圆孔左右对称, 且凹槽朝上。

For 45445T/45446T/45447T, keep two holes bilateral symmetry.

Drill holes in the finished wall as required.

How to install the Bracket

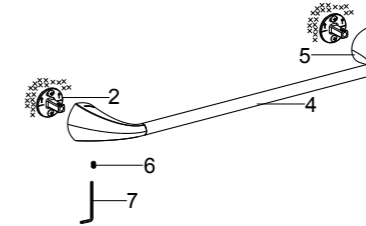
Press the anchor(1) into the holes. Secure the plate(2) with the self-tapping screws(3).

As Fig.1 shown, for 37050T/37051T/37054T/37055T/37056T/37057T, orienting the large slotted mounting hole of the plate up, the smaller hole of the plate down and two screw holes are vertical.

As Fig.2 shown, for 45445T/45446T/45447T, keep two holes bilateral symmetry, and the groove upwards.

如何安装毛巾杆

将毛巾杆组件(4)中的装饰盖(5)装入底座(2)内, 保持装饰盖上带孔的面朝下放置, 用六角扳手(7)将螺钉(6)拧入到装饰盖内固定毛巾杆组件。

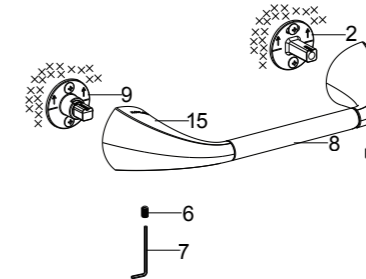


How To Install Towel Bar

Slide the escutcheon(5) of the towel bar kit(4) into the bracket(2), orient the escutcheon with the hole facing downwards. Tighten the screw(6) into the escutcheon with the hex wrench(7) to secure the towel bar kit.

如何安装卫生纸架

将卫生纸架组件(8)中的装饰盖(15)装入底座(2)和底座组件(9)内, 保持装饰盖上带孔的面朝下放置, 用六角扳手(7)将螺钉(6)拧入到装饰盖内固定卫生纸架组件。

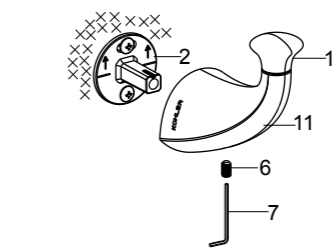


How To Install Tissue Holder

Slide the escutcheon(15) of the tissue holder kit(8) into the bracket(2) and bracket kit(9), orient the escutcheon with the hole facing downward. Tighten the screw(6) into the escutcheon with the hex wrench(7) to secure the tissue holder kit.

如何安装衣钩

将衣钩组件(10)中的装饰盖(11)装入底座(2)内, 保持装饰盖上的孔面朝下放置, 用六角扳手(7)将螺钉(6)拧入到装饰盖内固定衣钩组件。

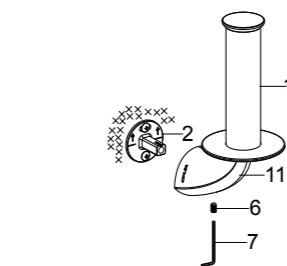


How To Install Robe Hook

Slide the escutcheon(11) of the robe hook kit(10) into the bracket(2), orient the escutcheon with the hole facing downward. Tighten the screw(6) into the escutcheon with the hex wrench(7) to secure the robe hook kit.

如何安装竖直型卫生纸架

将卫生纸架组件(12)中的装饰盖(11)装入底座(2)内, 保持装饰盖上的孔面朝下放置, 用六角扳手(7)将螺钉(6)拧入到装饰盖内固定卫生纸架组件。

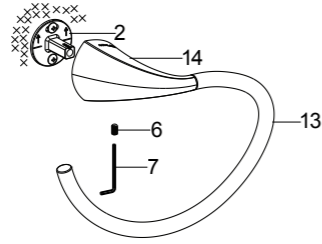


How To Install Vertical Tissue Holder

Slide the escutcheon(11) of the tissue holder kit(12) into the bracket(2), orient the escutcheon with the hole facing downward. Tighten the screw(6) into the escutcheon with the hex wrench(7) to secure the tissue holder kit.

如何安装毛巾环

将毛巾环组件(13)中的装饰盖(14)装入底座(2)内,保持装饰盖上的孔面朝下放置,用六角扳手(7)将螺钉(6)拧入到装饰盖内固定毛巾环组件。

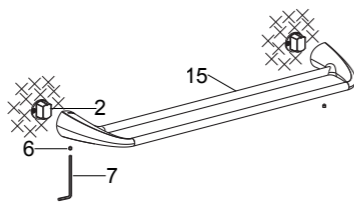


How To Install Towel Ring

Slide the escutcheon(14) of the towel ring kit(13) into the bracket(2), orient the escutcheon with the hole facing downward. Tighten the screw(6) into the escutcheon with the hex wrench(7) to secure the towel ring kit.

如何安装双毛巾杆

将双毛巾杆组件(15)装在底座(2)上,保持螺钉孔朝下,用六角扳手(7)旋紧螺钉(6),固定双毛巾杆组件。

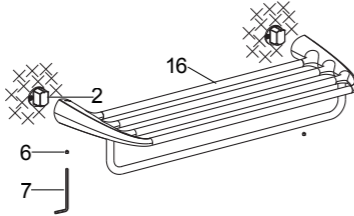


How To Install Double Towel Bar

Slide the double towel bar kit(15) onto the bracket(2), and keep the screw holes downwards. Tighten the screws(6) with the hex wrench(7) to secure the double towel bar kit.

如何安装双层毛巾架

将双层毛巾架组件(16)装在底座(2)上面,保持螺钉孔朝下,用六角扳手(7)旋紧螺钉(6),固定双层毛巾架组件。

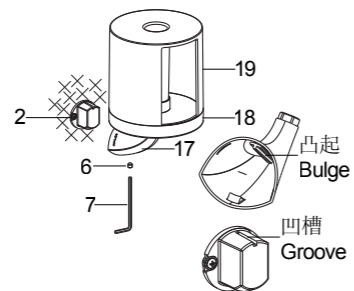


How To Install Double Towel Shelf

Slide the double towel shelf kit(16) onto the bracket(2), and keep the screw holes downwards. Tighten the screws(6) with the hex wrench(7) to secure the double towel shelf kit.

如何安装带盖卫生纸架

使裙座(17)内壁的凸起对准底座(2)的凹槽,将带盖卫生纸架组件(18)装在底座上,保持螺钉孔朝下,用六角扳手(7)旋紧螺钉(6),以固定带盖卫生纸架组件。



How To Install Covered Tissue Holder

Aligning the bulge of the bonnet(17) with the slot of the bracket(2). Slide the covered tissue holder kit(18) onto the bracket, and keep the screw hole downwards. Tighten the screw(6) with the hex wrench(7) to secure the covered tissue holder kit.

If needed, install toilet paper. Turn the cover(19) counter-clockwise. Lift it upwards to remove the cover. After installing toilet paper, reinstall the cover.

根据需要,装入卫生纸。逆时针旋转纸盖(19)并向上提起,将其取下。装入卫生纸后,重新装回纸盖。

安装结果检查

检查并确保所有连接处已锁紧。
检查并确保所有六角螺钉垂直向下。

INSTALLATION CHECKOUT

Ensure that all connections are tightened.
Ensure all setscrews face straight down.

清洗说明

适用于所有加工处理过的表面:以中性肥皂水清洗镀层表面,再以干净的软布彻底擦干整个表面,许多清洁剂,比如氨水、去污粉及洁厕灵等,会对电镀表面造成伤害,切忌使用。

CLEANING INSTRUCTIONS

All Finishes: Clean the finish with mild soap and warm water. Wipe entire surface completely dry with a clean soft cloth. Many cleaners may contain chemicals, such as ammonia, chlorine, toilet cleaner etc. Which could adversely affect the finish and are not recommended for cleaning.

有磨损性的清洁用具或清洁剂也不可适用于科勒牌的水龙头及其配件上。

Do not use abrasive cleaners or solvents on Kohler faucets and fittings.

KOHLER®

ACCESSORY SERVICE PARTS

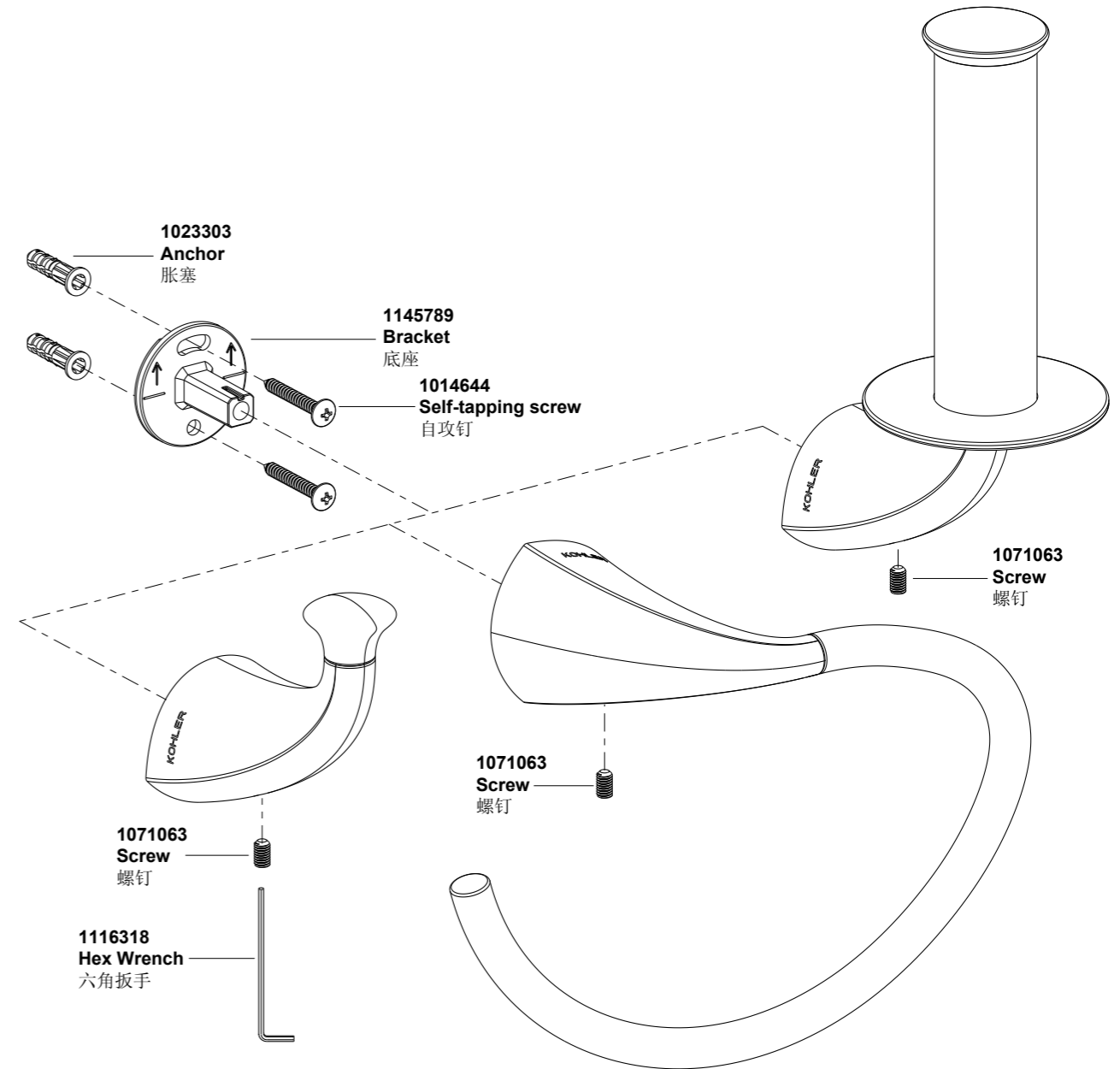
浴室配件 零件图

曼思

MISTOS

Accessories

- 37055T 衣钩
- 37056T 卫生纸架(竖直型)
- 37057T 毛巾环



**订购时请说明颜色编号
**Color code must be specified when ordering